

**COMPACT
PNEUMATIC CYLINDERS
PKD-A SERIES Ø125- Ø320**



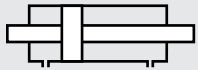


PKD-A SERIES

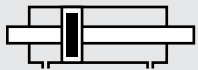
COMPACT - Ø125 - Ø320

COMPACT, DOUBLE ACTING
CYLINDER WITH MAGNET

POSSIBILITY FOR DOUBLE
DIRECTION RUN WITH IDENTITY
STROKES COMPACT DIMENSIONS



PKD: COMPACT CYLINDERS WITH
DOUBLE ACTING WITH DOUBLE ROD



PKD-A: COMPACT MAGNETIC
CYLINDERS WITH DOUBLE ACTING
WITH DOUBLE ROD

Example of order:

PKD-A
Product Code

125-025
Cylinder Ø
Stroke

M1 M3
Variants from
Standard System

VARIANTS FROM STANDARD SYSTEM:

- R1: Stainless Steel Piston Rod (SS 304-SS 316)
- R4: Stainless Steel Nut for Piston Rod (SS 304)
- M1: Extended male Piston Rod Thread
- M3: Special Piston Rod Thread
- M4: Extended Piston Rod
- K1: Seals for Max. 150° C (Viton)
- K2: Piston Rod Seal NBR + PA
- K4: Piston Rod Seal Viton

Force:

Cylinder Ø mm	Rod Ø mm	Thrust and traction forces (6 Bar)	
		Thrust Force (N)	Traction Force (N)
125	30	6936	6936
160	40	11304	11304
200	40	18086	18086
250	40	28680	28680
320	50	47050	47050

Working Fluid:

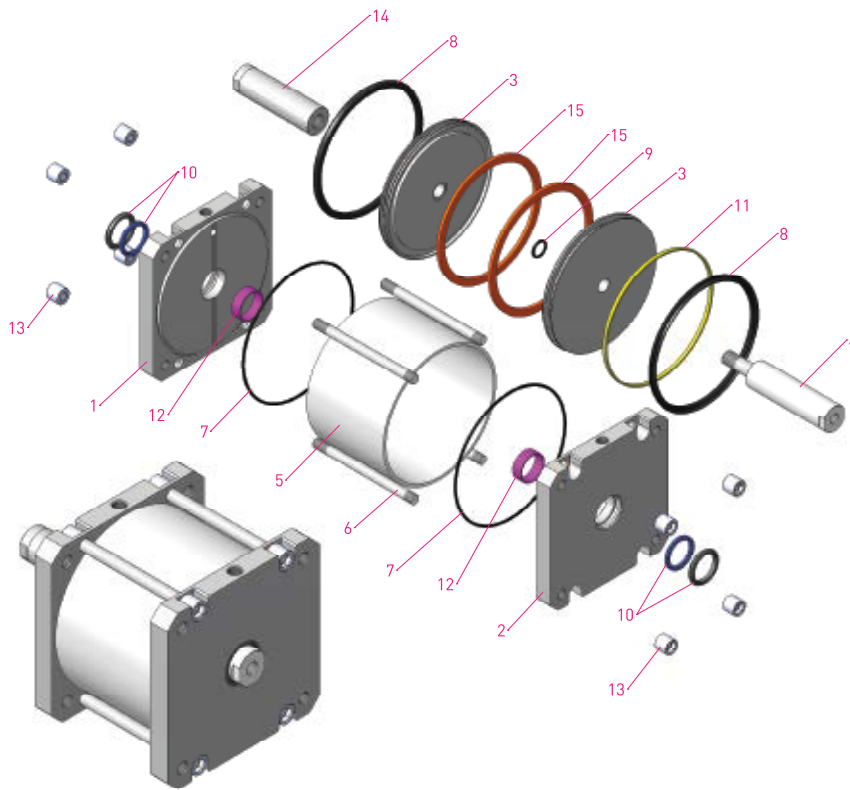
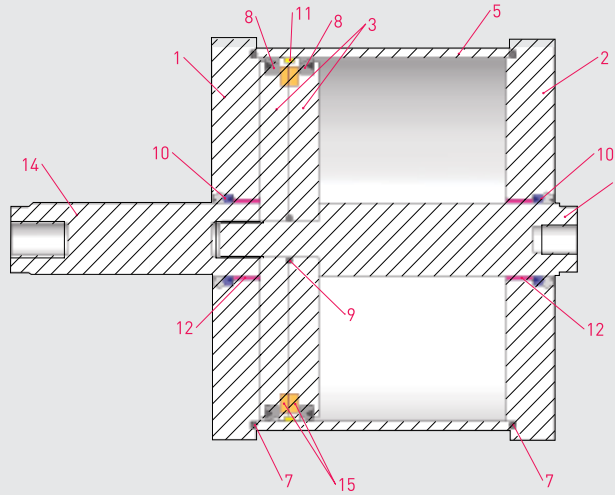
Filtered and lubricated or filtered and not lubricated air

Operating Temperature Range:

NBR + Polyurethane (PU): (-20°C) - (+80°C)
Viton (FKM) : (-30°C) - (+180°C)

Max. Work Pressure:

10 Bar

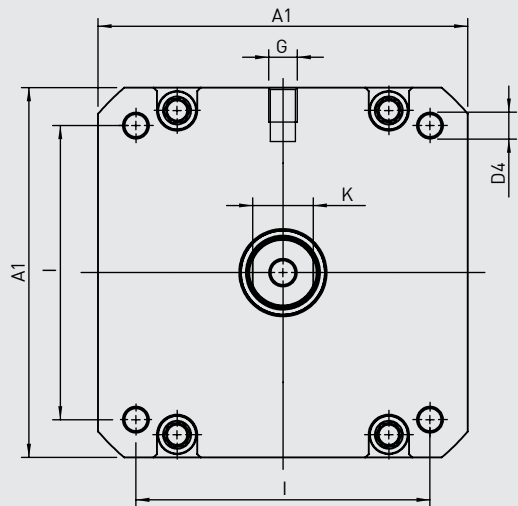
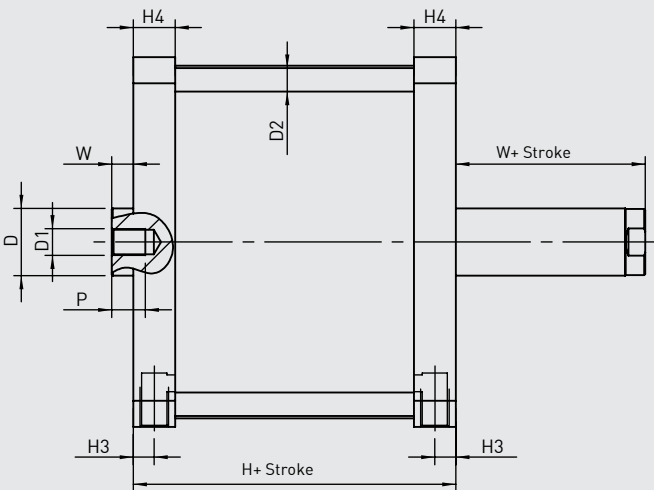


No	MATERIAL NAME	CHARACTERISTIC	PC.
1	Front Head	Al. + Eloxac Plated	1
2	Front Head	Al. + Eloxac Plated	1
3	Middle Piston	Aluminium	2
4	Male Piston Rod	CK 45 Hard Chrome Plated	1
5	Tube	Al Mg Si 0,5 + Eloxac Plated	1
6	Tie-Rod	SS 304	4
7	Head O-ring	NBR	2
8	Piston Seal	NBR	2

No	MATERIAL NAME	CHARACTERISTIC	PC.
9	Middle Piston O-ring	NBR	1
10	Rod Seal	PU+Hytrek	2
11	Guiding Band	Carbon Teflon	1
12	Guiding Bush	CSB-40	2
13	Head Nut	SS 304	8
14	Female Piston Rod	CK 45 Hard Chrome Plated	1
15	Magnet	Ø125-Ø160 Ø200-Ø250-Ø320	1 2



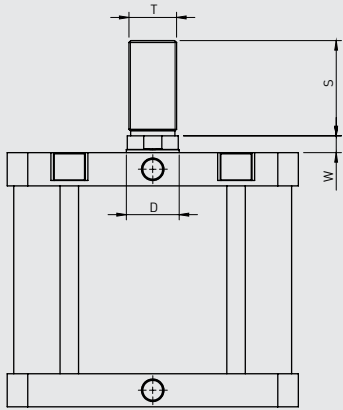
PKD-A SERIES
COMPACT - Ø125 - Ø320



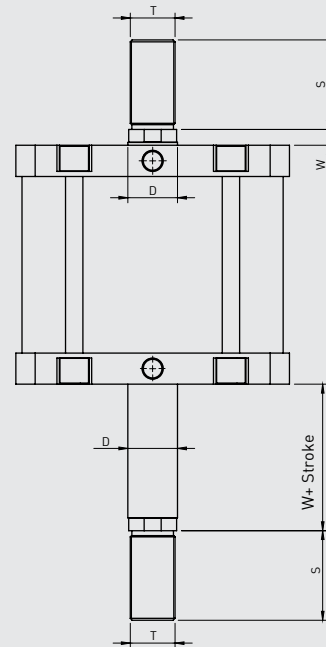
Cylinder Ø mm	A1	D Ø	D1	D2 Ø	D4	G	H	H3	H4	I	K	P	W
125	145	30	M14	10	M12	1/4"	78	10	22	110	27	25	10
160	180	40	M20	12	M16	3/8"	87	12,5	25	140	36	30	12
200	220	40	M20	14	M16	3/8"	87	12,5	25	175	36	30	12
250	270	40	M24	16	M20	1/2"	116	15	33	220	36	35	12
320	340	50	M30	16	M24	1/2"	120	16	34	270	46	40	15



PK-T



PKD-T



Cylinder type	Cylinder Ø mm	D	S	T	W
	125	30	54	M27x2	10
	160	40	72	M36x2	12
PK-PKD	200	40	72	M36x2	12
	250	40	72	M36x2	12
	320	50	84	M42x2	15